

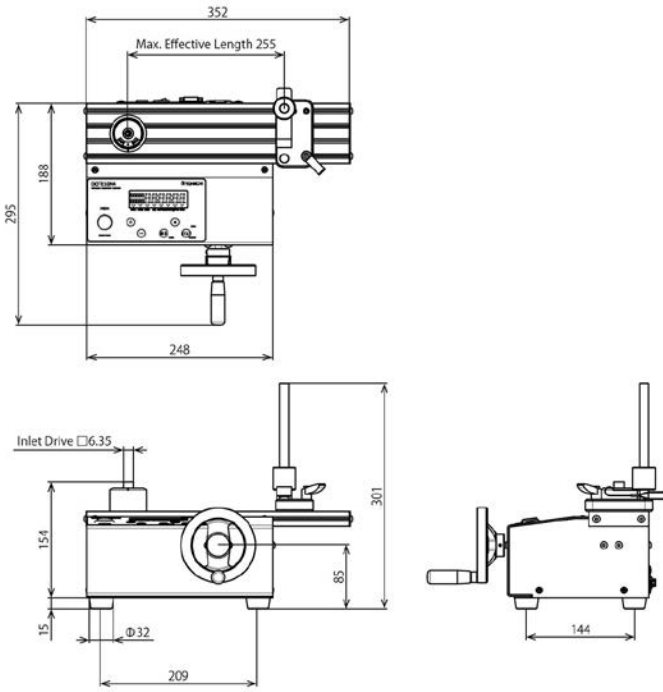
SPECIFICATIONS

MODEL		DOTE10N4-G	DOTE20N4-G	DOTE50N4-G	DOTE100N4-G	DOTE200N4-G	DOTE500N4-G	DOTE1000N4-G
TORQUE RANGE [N·m]	MIN.~MAX.	0.2 ~ 10	2 ~ 20	5 ~ 50	10 ~ 100	20 ~ 200	50 ~ 500	100 ~ 1000
	1digit	0.001	0.002	0.005	0.01	0.02	0.05	0.1
TORQUE RANGE [cN·m]	MIN.~MAX.	20 ~ 1000	200 ~ 2000	—	—	—	—	—
	1digit	0.1	0.2	—	—	—	—	—
TORQUE RANGE [kgf·cm / kgf·m]	MIN.~MAX.	2 ~ 100kgf·cm	20 ~ 200	50 ~ 500	100 ~ 1000	200 ~ 2000	5 ~ 50kgf·m	10 ~ 100
	1digit	0.01kgf·cm	0.02	0.05	0.1	0.2	0.005kgf·m	0.01
TORQUE RANGE [lbf·in]	MIN.~MAX.	2 ~ 88	18 ~ 180	44 ~ 440	88 ~ 880	170 ~ 1700	440 ~ 4400	880 ~ 8800
	1digit	0.01	0.02	0.05	0.1	0.2	0.5	1
TORQUE RANGE [lbf·ft]	MIN.~MAX.	—	—	3.6 ~ 36	7.3 ~ 73	15 ~ 150	36 ~ 360	73 ~ 730
	1digit	—	—	0.005	0.01	0.02	0.05	0.1
TORQUE WRENCH MAX EFFECTIVE LENGTH L' [mm]		255	410			660	1100	1650
INLET DRIVE $\varnothing a$ [mm]		6.35	9.53		12.7		19.1	25.4
DIMENSION [mm]	L	Refer to dimensional drawing	506			756	1276	1856
	B		339			370	710	744
	H		267			269	394	
	L1		—			805	1195	
	B1		—			510	635	
	B2		—			96	156	
	H1		113			162		
	H2		171	169	174	238	247	
WEIGHT[kg]		7	12			13	47	49
ACCESSORIES	DOWN ADAPTER SQ. (MALE-FEMALE)	—	DA3-2		277、DA4-3	—	—	DA8-6
	ADAPTER SQ. (MALE)-HEX(MALE)	—	10 · 13 · 19 12 · 14 · 17			17 · 22 · 27 19 · 24 · 30	22 · 27 · 29 30 · 32 · 36	36 · 46 41 · 50

Accuracy $\pm 1\%$ +1digit

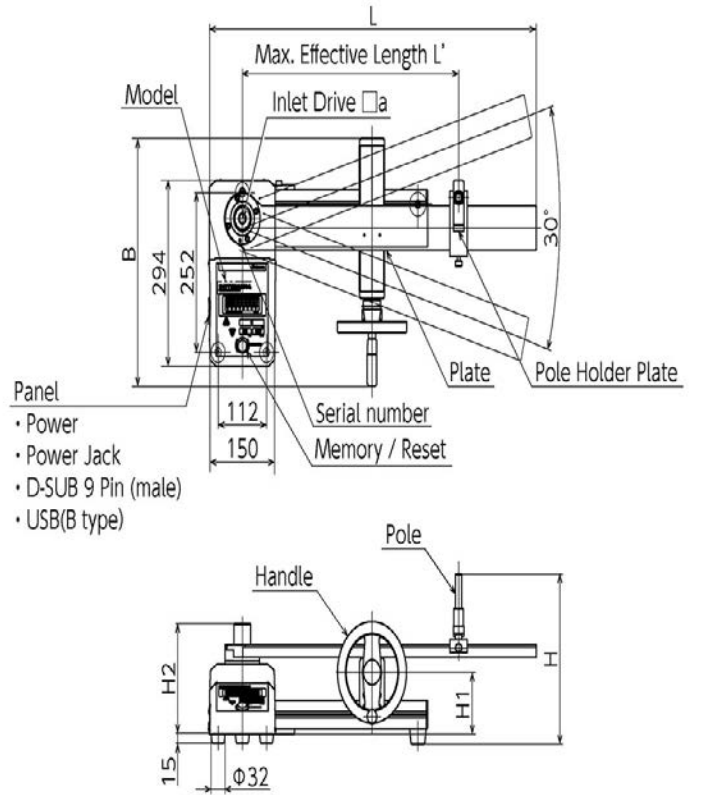
DISPLAY	Black mask LCD, White-Red-Blue
DATA MEMORY	1000 data
STATISTICAL PROCESSING	Number of samples / max. / min. / mean value
HI / LO SETTING PATTERN	10 setting pattern, A to J
MEASUREMENT MODE	PEAK / RUN
ZERO ADJUSTMENT	Automatic
DATA OUTPUT	RS232C compliant, USB B type for serial communication
RESET	Manual 0.0 / Auto 0.1 - 5.0 sec.
OPERATING CONDITION	0 ~ 40°C No condensation
POWER SUPPLY [V]	AC100 ~ 240V $\pm 10\%$ 50 / 60Hz

DIMENSIONS



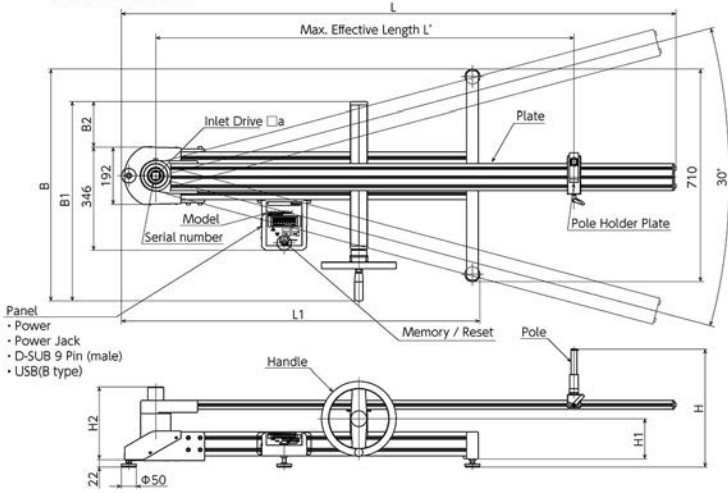
NOTE10N4-G

NOTE20N4 ~ 200N4



NOTE20N4-G ~ NOTE200N4-G

NOTE500N4 ~ 1000N4



NOTE500N4-G ~ NOTE1000N4-G

- Panel
- Power
 - Power Jack
 - D-SUB 9 Pin (male)
 - USB(B type)