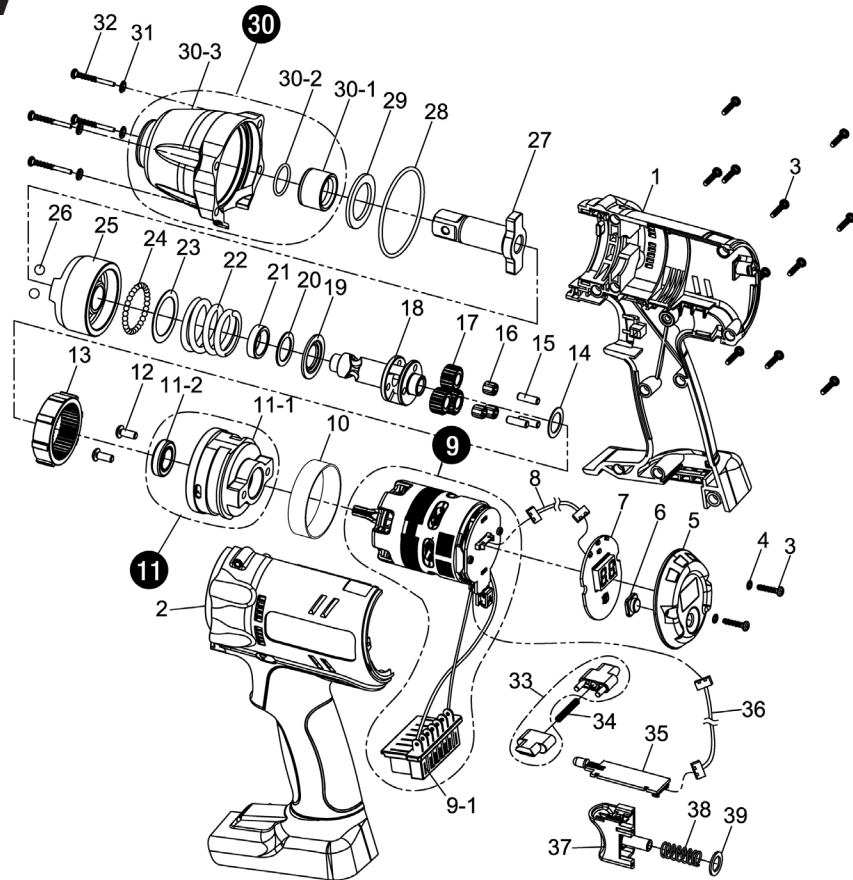


SIW-P10050 CORDLESS SHUT-OFF IMPACT TOOL

EXPLODED VIEW



PARTS LIST — FOR REFERENCE ONLY

| Index Number | Part Number | Description | Qty. |
|--------------|----------------|--------------------------|------|
| 1 | 32001-IWCP-01 | Upper Housing Assembly | 1 |
| 2 | 32002-IWCP-03 | Lower Housing Assembly | 1 |
| 3 | 0-152001 | Screw (3 x 14L) | 13 |
| 4 | 0-194014 | Spring Washer | 2 |
| 5 | 33110-IWCP-01 | Cover | 1 |
| 6 | 33109-IWCP-03 | Button | 1 |
| 7 | 32076-IWCP-02 | LED Indicator Board | 1 |
| 8 | 32086-IWCP-01 | Connector Wire | 1 |
| 9 | 32083-IWCP-01 | Brushless Motor w/driver | 1 |
| 9-1 | | Connector | 1 |
| 10 | 33139-PWAP-01C | Ring | 1 |
| 11 | 32050-IWCP-01 | Gear Box Assembly | 1 |
| 11-1 | | Gear Box | 1 |
| 11-2 | | Ball Bearing | 1 |
| 12 | 0-121005 | Screw (M4 x 10L) | 2 |
| 13 | 33249-IWCP-03 | Gear Ring | 1 |
| 14 | 33239-IWAP-01 | Washer | 1 |
| 15 | 0-511050 | Pin (4 x 12.8 mm) | 3 |
| 16 | 0-211003 | Needle Bearing (KT-477) | 3 |
| 17 | 33249-IWCP-02 | Planet Gear | 3 |
| 18 | 33243-IWCP-06 | Shaft | 1 |
| 19 | 33239-IWBP-01 | Washer | 1 |

| Index Number | Part Number | Description | Qty. |
|--------------|---------------|---------------------------|------|
| 20 | 33239-IWCP-01 | Washer | 1 |
| 21 | 33139-IWCP-01 | Washer | 1 |
| 22 | 33248-IWBP-01 | Spring | 1 |
| 23 | 33239-IWAP-02 | Washer | 1 |
| 24 | 981-150-0 | Steel Ball (3) | 28 |
| 25 | 33245-IWCP-02 | Driving Hammer | 1 |
| 26 | 981-005-0 | Steel Ball (7/32") | 2 |
| 27 | 33243-IWCP-04 | Anvil | 1 |
| 28 | 0-411018 | O-Ring | 1 |
| 29 | 33239-IWCP-04 | Washer | 1 |
| 30 | 32041-IWCP-01 | Front Cover Assembly | 1 |
| 30-1 | | Bushing | 1 |
| 30-2 | | O-Ring | 1 |
| 30-3 | | Front Cover | 1 |
| 31 | 0-194001 | Spring Washer | 4 |
| 32 | 0-151010 | Screw (4 x 25L) | 4 |
| 33 | 32009-IWCP-01 | F/R Valve (1 set x 2 pcs) | 1 |
| 34 | 33248-IWCP-01 | Spring | 1 |
| 35 | 32076-IWCP-01 | PC Board | 1 |
| 36 | 32186-IWCP-01 | Connector Wire | 1 |
| 37 | 32009-PWAP-03 | Trigger Assembly | 1 |
| 38 | 33248-PWAP-01 | Spring | 1 |
| 39 | 33139-PWAP-02 | Washer | 1 |

FOOTNOTES

● = Items in SIW-P10050-TK Tune-Up Kit



10000 SE PINE
PORTLAND, OR 97216
503-254-6600
FAX 503-255-2615

When ordering spare parts, please specify
tool type, part number, and description.